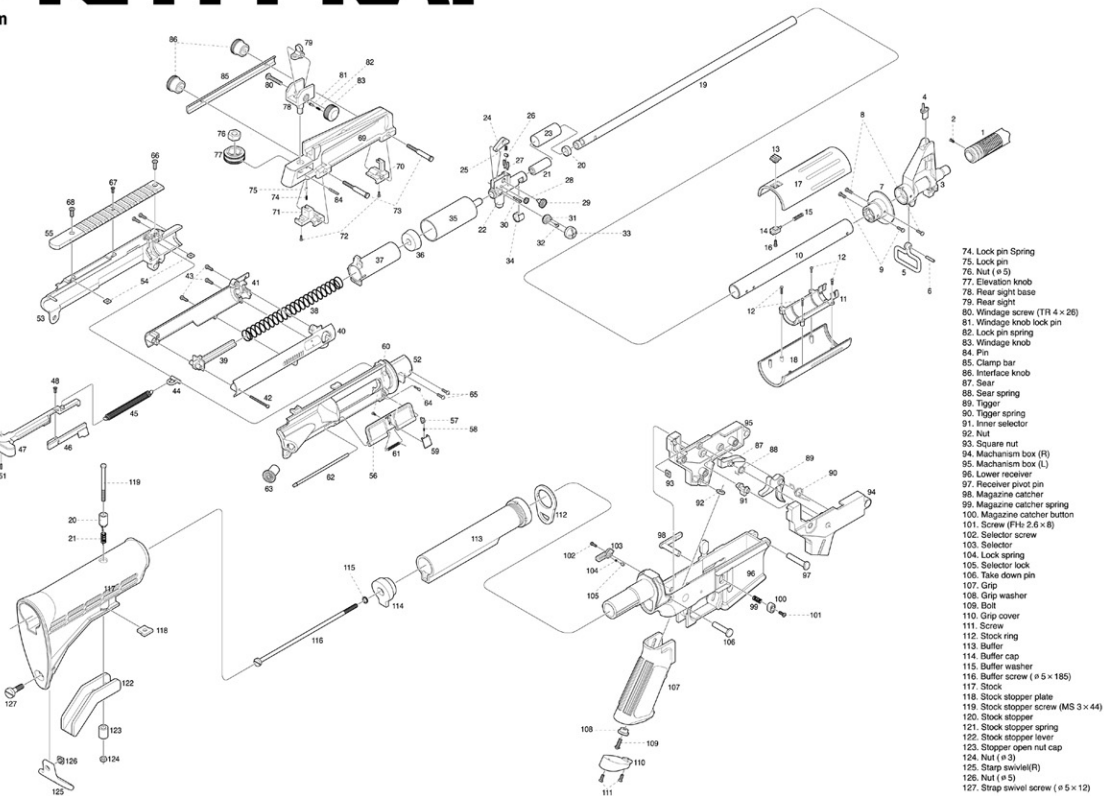




# KITTY KAT

www.cybergun.com

1. Compensator
2. Bolt (FH 2 × 5)
3. Front barrel
4. Front sight
5. Strap swivel (F)
6. Strap swivel pin
7. Hand guard cap
8. Screw (BH 2.6 × 8)(F)
9. Screw (BH 2.6 × 8)(R)
10. Out barrel
11. Hand guard guide
12. Screw
13. Hand guard lock button
14. Hand guard lock
15. Hand guard lock spring
16. Lock screw
17. Hand guard (T)
18. Hand guard (B)
19. Inner barrel
20. Inner barrel guide
21. Hop-up chamber packing
22. Hop-up chamber
23. Hop-up chamber tube
24. Hop-up lever
25. Hop-up lever spring
26. Hop-up controller rubber
27. Hop-up controller
28. Hop-up gear
29. Hop-up cam
30. Cap screw
31. Hop-up knob
32. Screw (NV 3 × 4)
33. Hop-up knob cover
34. Ring
35. Cylinder
36. Piston packing
37. Piston
38. Piston spring
39. Spring guide
40. Bolt(R)
41. Bolt(L)
42. screw (FH 2.6 × 24)
43. screw (FH 2.6 × 28)
44. Return spring hook
45. Return spring
46. Ejection cover opener
47. Charging handle
48. screw (FH 2.6 × 8)
49. Spring
50. Charging handle catch
51. Pin
52. Upper receiver (R)
53. Upper receiver (L)
54. Square nut (# 3)
55. Receiver rail
56. Ejection port cover
57. Hook
58. Spring
59. Hook cover
60. Screw
61. Ejection cover spring
62. Cover pin
63. Forward assist
64. Receiver screw (PH 2 × 8)
65. screw (BH 2.6 × 8)
66. Receiver screw (F) (FH 3 × 8)
67. Receiver screw (C) (FH 3 × 5)
68. Receiver screw (R) (FH 3 × 5)
69. Carrying handle
70. Carrying handle mount (F)
71. Carrying handle mount (R)
72. Screw (FH 2.6 × 8)
73. Pivot bolt (MS 4 × 40)



74. Lock pin Spring
75. Lock pin
76. Nut (# 3)
77. Elevation knob
78. Rear sight base
79. Rear sight
80. Windage screw (TR 4 × 26)
81. Windage knob lock pin
82. Lock pin spring
83. Windage knob
84. Pin
85. Clamp bar
86. Interface knob
87. Gear
88. Gear spring
89. Trigger
90. Trigger spring
91. Inner selector
92. Nut
93. Square nut
94. Mechanism box (R)
95. Mechanism box (L)
96. Lower receiver
97. Receiver pivot pin
98. Magazine catcher
99. Magazine catcher spring
100. Magazine catcher button
101. Screw (FH 2.6 × 8)
102. Selector screw
103. Selector
104. Lock spring
105. Selector lock
106. Take down pin
107. Grip
108. Grip washer
109. Bolt
110. Grip cover
111. Screw
112. Stock ring
113. Buffer
114. Buffer cap
115. Buffer washer
116. Buffer screw (# 5 × 185)
117. Stock
118. Stock stopper plate
119. Stock stopper screw (MS 3 × 44)
120. Stock stopper
121. Stock stopper spring
122. Stock stopper lever
123. Stocker open nut cap
124. Nut (# 3)
125. Strap swivel(R)
126. Nut (# 5)
127. Strap swivel screw (# 5 × 12)